



Quality Pool Products & Chemicals

Underwater lights for
swimming pools
fountains and spas

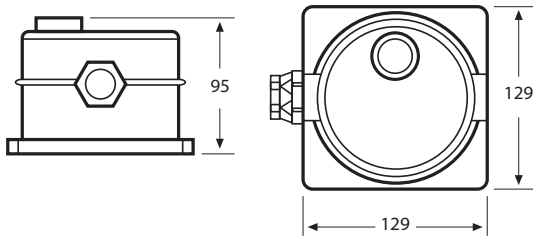


2012 - 2013 CATALOGUE



JUNCTION / DECK BOX

- Made of white ABS and push in cover with O-ring seal IP 55 weather protection.
- Supplied with a set of electric connectors and threaded couplers.
- It has 3 threaded outlets of 3/4" compatible with standard light conduit for simplified installation and clean finish.

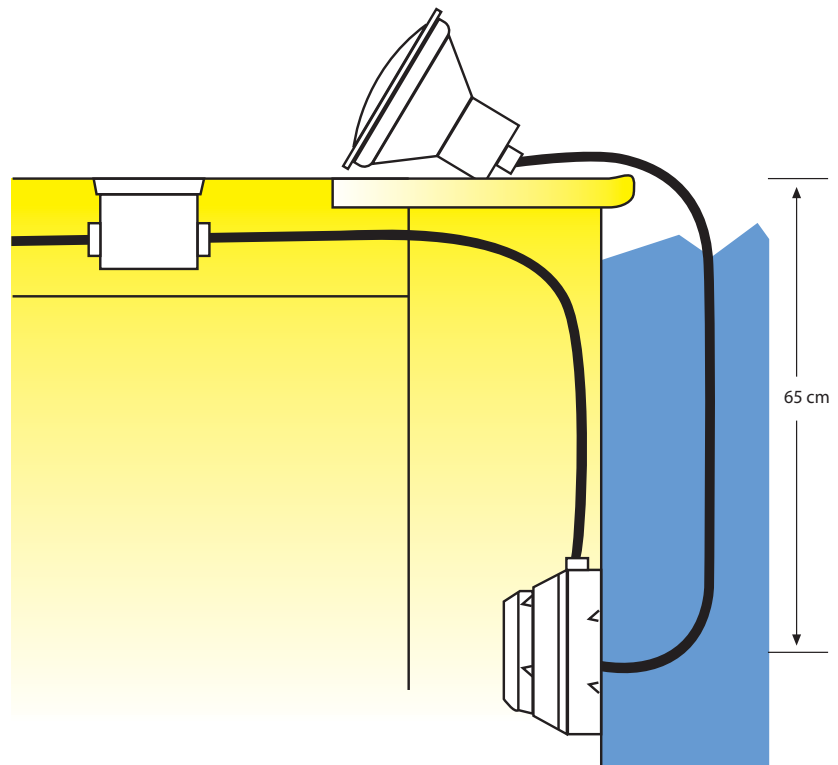


Deck Box

Code	Model	Type	Volt	Watt
A301	H 300 C	Standard light for concrete pools	12	300
A302	H 300 V	Standard light for vinyl pools	12	300
A320	BH 300	PAR 56 lamp	12	300
A332	D 55	Junction / Deck Box		



PAR 56 Lamp



Niche Light Installation



FLAT LIGHT:

- Flat light index IP 68 underwater made of UV-resistance white ABS.
- The light is mounted by bracket fixing plugs.
- Supplied with 2 m (2x1.5 mm²) cable.
- The unique design of this fixture permits to be used for concrete pools.

Flat Light Models:

1 -Halogen Lamp Model:

100 w, 12 v Halogen Lamp Model supplied with Red and Blue lenses.

2 -Multi Colored LED Model:

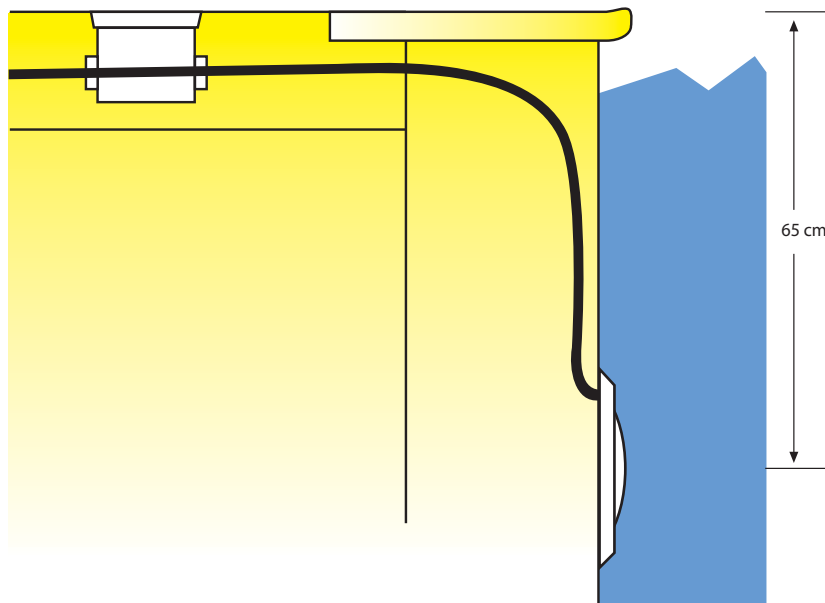
The combination of the three basic colors Red, Green and Blue (126 LEDs) gives place to 7 changeable colors.



Flat Light Parts



Flat Light



Flat Light Installation



JC Lamp

Code	Model	Type	Volt	Watt
A311	H 25	Rim diameter 25 cm Halogen Lamp	12	100
A314	L 30	Rim diameter 30 cm Multi Colored LEDs	12	8
A313	L 25	Rim diameter 25 cm Multi Colored LEDs	12	8
A328	JC 100	JC Lamp for Flat Light	12	100



POOL & GARDEN LED LIGHT:

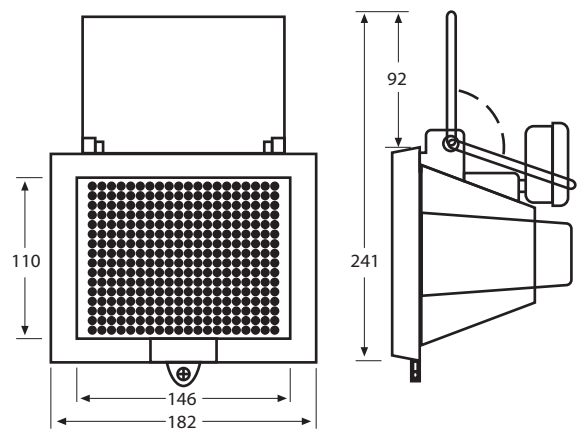
- Pool and Garden LED light are designed specially to install in the pool landscape garden.
- Weather protection type index IP 65: protected against water jets.
- It can rotate up to 60° to be faced the pool direction.
- The combination of the three basic colors Red, Green and Blue (270 LEDs x 5 mm) gives place to many colors.
- Lumination intensity: 500-1400 lumen according to the color program.
- Long life time: 30.000 hours, Very low energy consumption (21w) and low heat generation.
- Supplied with multi function 11 programs remote control to be synchronized with standard pool underwater light.



Remote control instructions:

- 1-2-3-4: Four speeds color changing.
- 5-7-9: Red, Green, Blue.
- 6: Three rotating colors (Red, Green, Blue).
- 8: Four rotating colors (Yellow, Cyan, Purple, White).
- 10: All LEDs switch on (day light).
- 11: Purple.

Pool & Garden LED Light



Code	Model	Type	Volt	Watt
A319	RGB 270 G	Pool & Garden LED Light	220	21

SAFETY TRANSFORMERS:

For swimming pool lighting:

- Low voltage transformers are designed to provide safe 12 volt electric supply to underwater lights of swimming pools.
- Advanced self resetting system protection resets automatically against short circuits and overloads, if the thermal breaker opens due to an overload or short circuit, the reset time up to 20 minute.
- Fully encapsulated high and low voltage circuits in polyurethane resin maximize heat dissipation.
- Weather proof housing features a separate wiring compartment and six convenient knock outs make installation simple.
- The IP rating system (International Protection Code) is IP 52 which is protected against dust and water jets up to 15° from the vertical (for TR 52 model).



Standard Safety Transformer TR 20



Weather Protection Safety Transformer TR 52

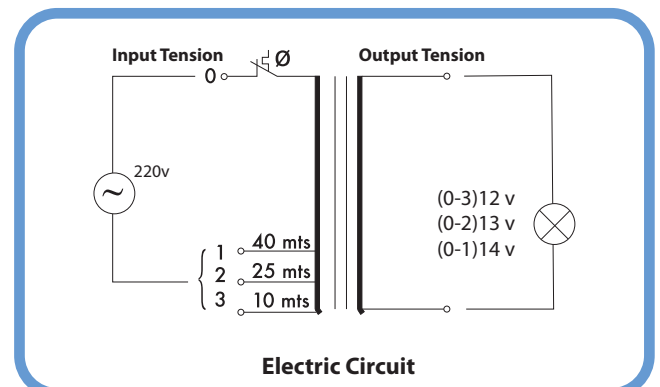
Specifications:

Code	Model	Power	Input Tension	Output Tension	Kgs	Lights	IP
A330	TR 20	300 w	220 v	12/13/14 v	4.7	1X300 w	IP 20
A331	TR 52	300 w	220 v	12/13/14 v	4.7	1X300 w	IP 52

Guide Chart for tap selection:

- Multi tap voltage output (12, 13, 14 v) so that optimum lamp operation will be available depending on the distance between the light and transformer.

Distance (m)	10	25	40
Voltage (v)	12	13	14



www.aquaswimshop.com

© aineg.com

