

2015 Catalogue



Quality Pool Products & Chemicals



Chlorine

Trichloroisocyanuric acid (TCCA 90%)

Molecular formula: $C_3N_3O_3Cl_3$

Molecular Weight: 232.41

Appearance: White crystal Powder/Granular/Tablets

Features:

- High concentration on chlorine 90%.
- Low consumption.
- Stabilizer of chlorine level in the water.

Suggested Dosage:

- **pH:** adjust the pH in the water between 7.2 and 7.6 with pH - or pH+.
- **Chlorine:** the level of the chlorine should be between 1 - 4 ppm.

Appearance & Packing:

White Crystal Powder, Granular & Tablet.

Packing:

- **Powder :** 50 kg Fiber Drums 10 kg Plastic Drums
- **Granulate:** 50 kg Fiber Drums 10 kg Plastic Drums
- **Tablet :** 50 kg Fiber Drums 20 kg Plastic Drums



Pooltester Box

High Range Measuring :

Cl : 0.5 - 6 mg/l

pH : 6.8 - 8.2.

- Each Pooltester includes foil packed tablets for 20 tests

Origin: made in Germany By Tintometer

For testing free available Chlorine & pH.
Fast, Accurate & Simple



Tablet Reagents

- Lovi bond tablets DPD and Phenol Red have a guaranteed 10 years shelf-life.
- Lovi bond tablets DPD and Phenol Red are provided in green printed foil blister for rapid types and provided in black printed foil blister for photometer types.

Item	Code	Quantity
DPD No. 1 / RAPID	51 13 12 BT	500
Phenol Red / RAPID	51 17 42 BT	500
DPD No. 1 / Photometer	51 10 52 BT	500
Phenol Red / Photometer	51 17 52 BT	500
Phenol Red / Photometer	51 17 72 BT	500



Diaquat 15

CONCENTRATED ALGAECIDE

Suggested Dosage:

Start up Treatment: 2 liters for 100 m³ of pool water.
Maintenance Treatment: 1 liter for 100 m³ once a week.

Composition:

Solution of cationic polymer of quaternary ammonium at 10%.

Packing & Origin: 5 Liters (made in Spain By Diasa)



Powerful algaecide and very effective in removing all types of microalgae and bacteria are presented in pool water.

Diaminus PH Gr (-)

pH REGULATORS

Suggested Dosage:

The PH of swimming pool water should be between 7.2 - 7.6.
When the value is higher, add 1.5 kg for each 100 m³ of water to reduce the PH by 0.2.

Composition:

Sodium bisulfate 100%.

Packing & Origin: 8 Kgs (made in Spain By Diasa)



Granulated product specially formulated for adjusting the PH of pool water when it is above 7.6.

Diamas PH Gr (+)

pH REGULATORS

Suggested Dosage:

The PH of swimming pool water should be between 7.2 - 7.6.
When the value is less, add 1.5 kg for each 100 m³ of water to increase the PH by 0.2.

Composition:

Sodium carbonate 100%.

Packing & Origin: 5 Kgs (made in Spain By Diasa)



Granulated product specially formulated for adjusting the PH of pool water when it is below 7.2.

Diafloc

FLOCCULANTS

Suggested Dosage:

Between 0.5 - 1.5 liters for each 100 m³ of pool water depending on water turbidity.

Composition:

Aluminum sulfate polyhydroxy chlorine 10%.

Packing & Origin: 5 Liters (made in Spain By Diasa)



Liquid flocculant is designed to remove small particles suspended in pool water.

Flovil

FLOCCULANTS

Flocculant in ultra-concentrated tablets.

Suggested Dosage:

2 tablets for each 100 m³ of pool water once a week.

Packing & Origin: 9 Tablets (made in France By Weltico)



Increases the filtering fines, does not clog the filtering and reduces the consumption of chlorine.

QUALITY POOL CHEMICALS



Vacuum Heads

Tile Vacuum Head:

- Greater flexibility for maximum cleaning action.
- Smooth rolling 8 wheels adjust with snap for better grip and long life.
- Fully enclosed weights and easy universal clip handle.

Code	Model	Type
A 401	CK 101	14"/ 35 cm standard vac with spring clip
A 402	CK 103	14"/ 35 cm standard vac with side brushes
A 529	CK 111	Replacement universal vac handle
A 528	CK 112	Replacement standard vac wheels with pin
A 530	CK 113	Replacement standard vac quick snap



CK 101



CK 103



CK 111



CK 112



CK 113

Vinyl Vacuum Head:

- Designed to speed cleaning of the different shapes and angles of pools.
- Brushes channel debris into vortex and ensure good scraping in any direction.
- Fully enclosed weights and easy universal clip handle.



CK 105



CK 107



CK 109

Code	Model	Type
A 403	CK 105	Contour shape with rubber protective vinyl
A 404	CK 107	Half moon shape enclosed weights
A 405	CK 109	Air valves oval shape
A 527	CK 115	Replacement contour shape brush

CK 115



Over Flow Grating

- A new single connection anti-slip polypropylene grate especially suited for public and private swimming pools, providing flexibility for curvy channels.
- The grate is very strong and resistant thanks to its thick element, individual grates of 24 cm clip together and forms complete lines, supplied in pieces of 1 meter to reduce lying times.
- Made of high quality PP and special additives, it is resistant to sunlight and pool chemicals, also made of high specific weight material to avoid any floating.

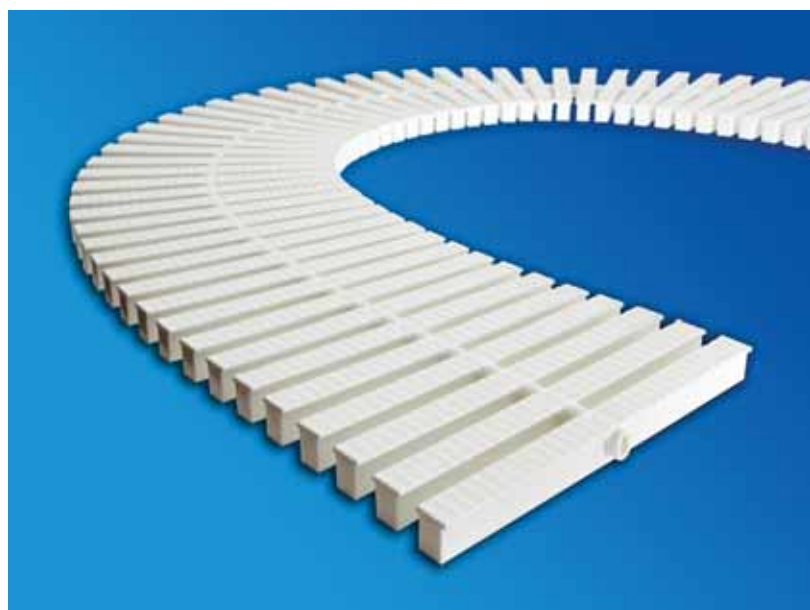
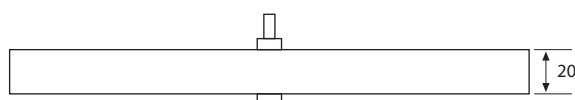
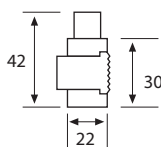


Specifications:

- Material: Polypropylene.
- Surface: Anti-slippery.
- Sun light protection.
- Chemical resistant.
- Width: 240 mm.
- Height: 22 mm.
- 1 m: 33 PCS.
- Packing: 10 m / box.

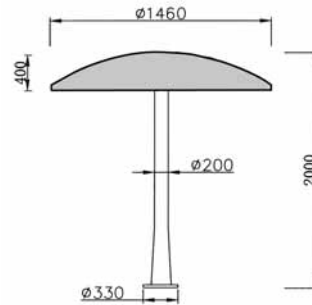


Code	Model	Color	Type
A 619	G24	White	Over Flow Grating



Water Mashrooms

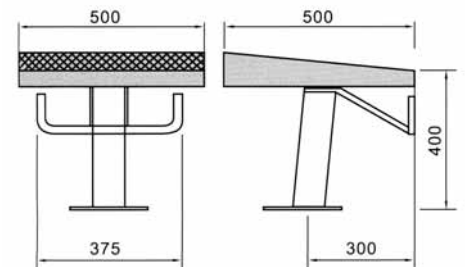
- Made of FRP to provide water curtain feature for pools.
- Water flows up to the central stem and then over the surface to provide all around curtain.



Code	Model	G.W (kg)	Dimension
A 620	SE 11	56.0	1460 x 1460 x 410
		18.4	320 x 320 x 2000

Standard One-Step Starting Block

- The starting block is made of FRP and conforms to international standards.
- The surface is anti-slippery.
- The sustaining bracket underneath is made of 304 stainless steel, which is durable and strong.



Code	Model	Color	Ctn. (Qty.)	G.W (kg)	Dimension (mm)
A 622	SE 21	Azury	1	19.1	520 x 520 x 450

Pool Outdoor Shower

- Made of Balau wood which is one of the standards for outdoor furniture
- It is generally consider more durable, stronger and weather resistance.
- It is equipped with high quality cold/hot water mixture.

Code	Model	Size Base (cm)	Hight (cm)
A 618	SE 31	2000	1460



Standard Halogen Light

Type:

Niche type protection index IP 68 underwater light for concrete or vinyl pools.

Material:

Body and Rim are made of UV-resistance white ABS.

Cable:

3.6 m H07RN-F cable with $2 \times 4 \text{ mm}^2$ section meets all the standards of lamination and voltage for all types of pools.

Conduit:

1.8 m threaded ends of 3/4" flexible conduit for carrying the electric cable from the light fixture to the junction / deck box.

Fixture:

The light fixture is designed with additional cooling vents, SS screws in the face plate hold the fixture firmly in the Niche thereby preventing the fixture from coming loose.

Lamp:

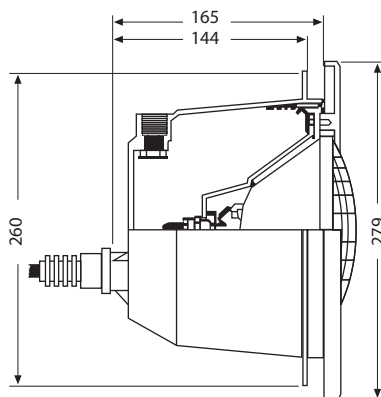
300 w, 12 v PAR 56 Halogen screw terminal lamp with lamination level 3000 lumen.



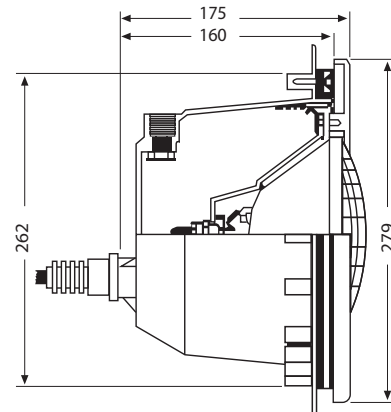
Standard Halogen Light



Standard Halogen Light Parts



Concrete Pool Model



Vinyl Pool Model

The Wall-Hung Integrative Filter

MOLDED POLYMERIC FILTERS:

With high quality LLDPE (Linear Low Density Poly Ethylene), World advanced technical and technologic production, streamlined compact design-attractive, it combines with filter, handrail, underwater light.

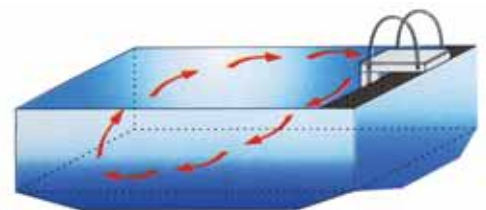
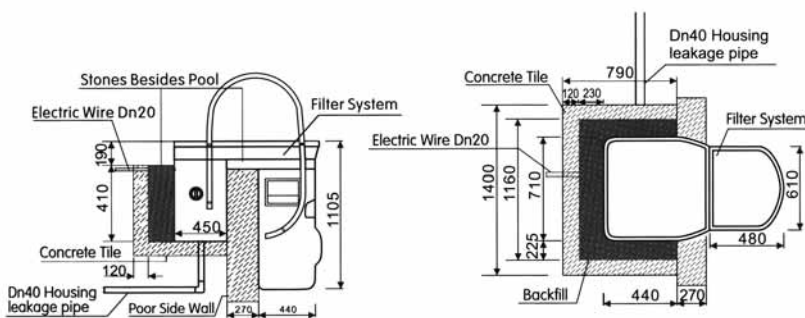
It is suitable for the medium or small swimming pools.

Features:

- Saving the water source, no need to consider the water leakage phenomenon without the pipeline and backwash.
- Saving the land resource without the engine room; Conformed to the international environmental protection requirement.
- With the high accuracy filters the system, established the security low pressure durable under water lamp, the turbo charging turbulent current massage spray nozzle, the high quality stainless steel arm rest and the supplementary equipment achieves one machine multipurpose effect.
- It equips with jets, underwater white led light, pump, handrail, air regulator, power switch&connecting box, filter bag.



Code	Model	Voltage (V)	Power (HP)	Flow (m ³ /h)	G.W (kg)	Dimension (mm)
A 128	WHU3	220	3	35	73	1250x750x1120



Spare Parts Kit (Included The Unit Package) :

- 2 pcs Filter Bag.
- 1 pcs Upper Basket.
- 1 pcs Lower Basket.
- 1 pcs Vacuum Plate.
- 2 pcs Filter Ring.
- 2 pcs Pump Impeller.
- 2 pcs Pump Mechanical Seal.



Sand Filters

MOLDED POLYMERIC FILTERS:

TOP-MOUNT VALVE SAND FILTERS

- High rate sand filter.
- Durable molded polymeric tank.
- 6 positions top mounted valve.
- Maximum working pressure 2 bar.
- Flange clamp design.
- Factory Testing Pressure 3 bar.



Gauge



Clamp



Lateral



Sight glass

Code	Model	Diameter (mm)	Hight (mm)	Pipe Size	Filter Area (m ²)	Design Flow(m ³ /h)	Sand(Kg)
A 103	F 18 T	460	815	1 1/2"	0.16	7.80	45
A 104	F 20 T	520	845	1 1/2"	0.22	10.80	85
A 105	F 24 T	625	1075	1 1/2"	0.31	15.30	145

Automatic Chemical Feeders

RESIDENTIAL OFF-LINE TYPE

Code	Model	Fitting	Capacity	Chemical
A 118	CH-9	Saddle Clamp	9 lbs	Trti-chlor / Tablets



Feeder spare kit
Code: A 119

Fountains Jets

Fountain Jets are divided into the following three categories:

1. Foaming Spray Jets:

Foaming spray jets are nozzles that mix water and air together to produce aerated white water.

2. Fanning Spray Jets:

Fanning spray jets are nozzles that push water through flat opening to produce a clean sheet of water.

3. Streaming Spray Jets:

Streaming spray jets are nozzles that produce clear translucent streams of water.



www.aquaswimshop.com